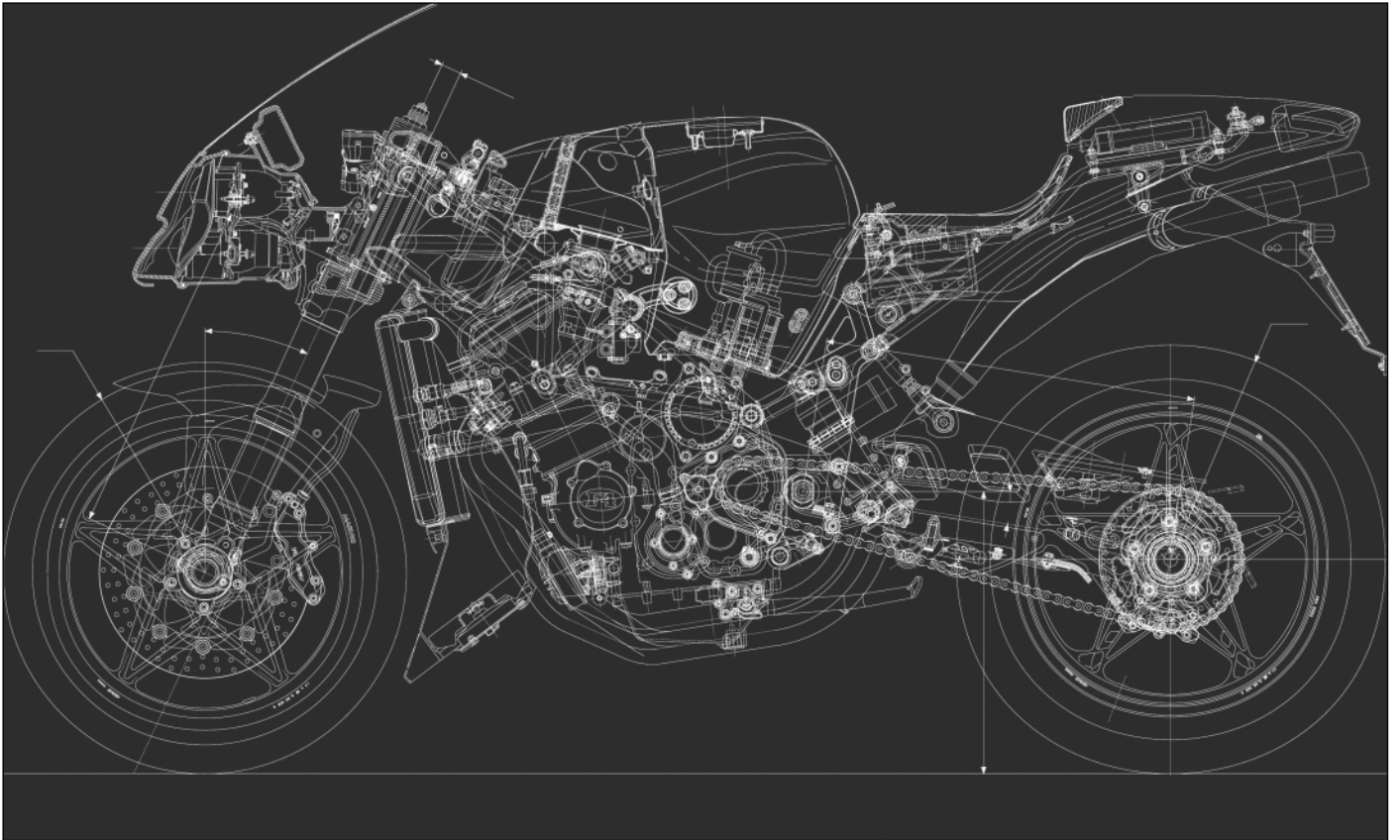




Special tools



M

SECTION M

Revision 0

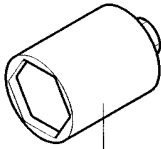


Special tools

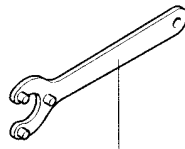
Maintenance tools

The special tools shown in the following chapter are indispensable for a correct carrying out of the described maintenance operations.

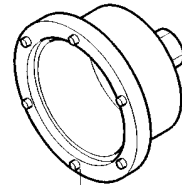
To order the special tools, refer to the spare parts catalogue.



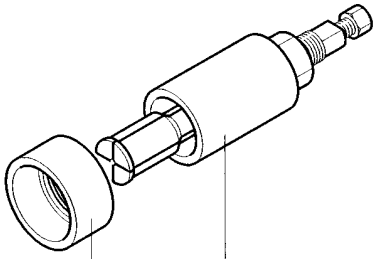
1



2

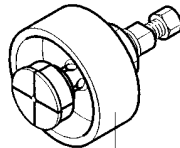


3



4

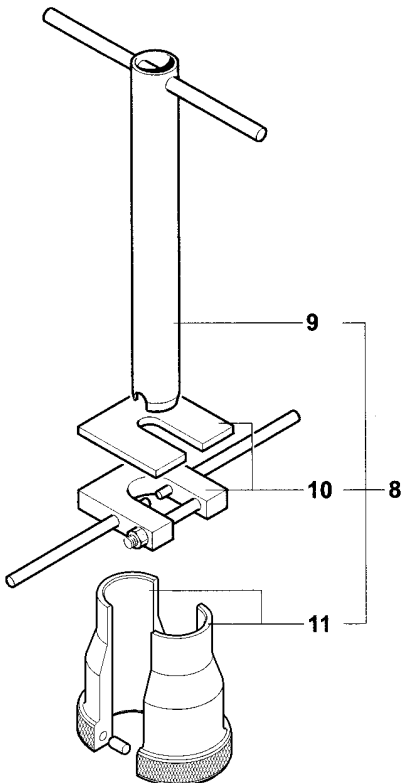
5



6



7

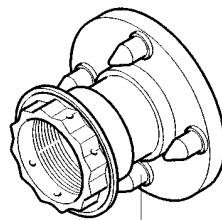


9

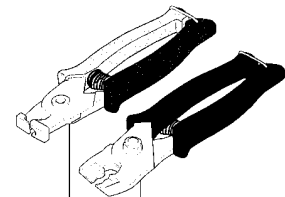
8

10

11

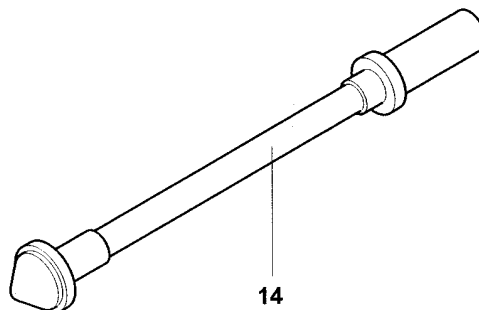


12



13

15



14

M

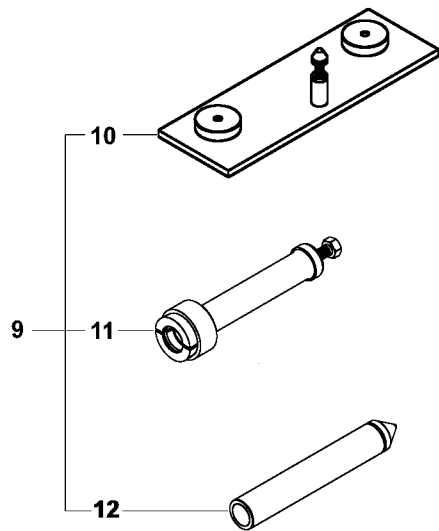
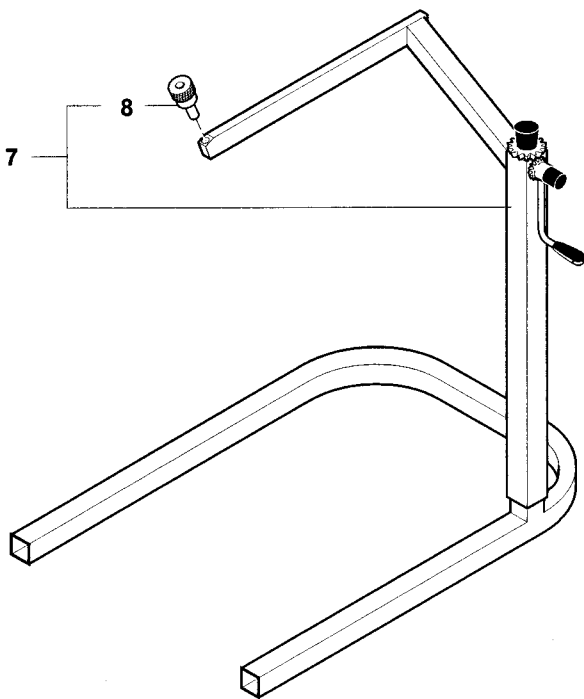
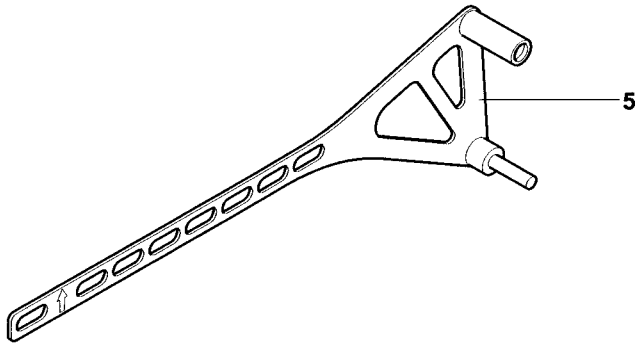
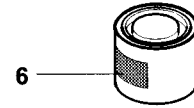
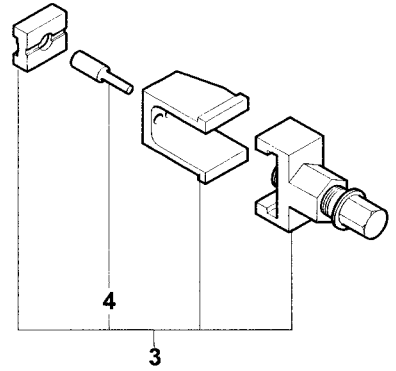
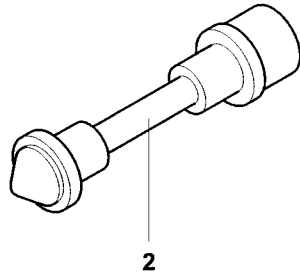
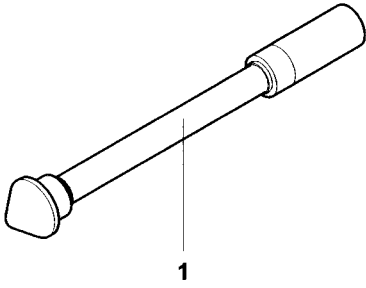


Special tools

N.	Code	Q.ty	Note	750 ORO	750 S	750 S1+1	Descrizione	Description	► I FRAME	► I ENGINE ►
1	800092872	2		•	•	•	Chiave perno ruota anteriore	Front wheel spindle spanner		
2	800091645	1		•	•	•	Chiave ghiera cuscinetti di sterzo	Steering bearing pin wrench		
3	800092857	1		•	•	•	Chiave ghiera eccentrico sterzo	Steering cam ring nut spanner		
4	800092860	1		•	•	•	Estrattore cuscinetti forcellone	Fork bearings puller		
5	800092861	1		•	•	•	Boccola estrattore cuscinetti forcellone	Fork bearings puller bushing		
6	800092862	1		•	•	•	Estrattore cuscinetti ruota anteriore	Front wheel bearings puller		
7	800092863	1		•	•	•	Chiave CPC	CPC spanner		
8	800092864	1		•	•	•	Attrezzo sospensione anteriore	Front suspension tool		
9	800094920	1		•	•	•	Attrezzo cartuccia	Cartridge tool		
10	800094919	1		•	•	•	Attrezzo molla	Spring tool		
11	800094918	1		•	•	•	Attrezzo parapolvere e paraolio	Dust cover and oil splash guard tool		
12	800092865	1		•	•	•	Attrezzo bilanciamento ruota posteriore	Rear wheel balancing tool		
13	800095850	1		•	•	•	Pinza monta/smonta fascette clic R	Pliers for clic R clamps assembly/disassembly		
14	800092866	1		•	•	•	Attrezzo pacco forcellone	Fork pack tool		
15	800098321	1		•	•	•	Pinza inclinata monta fascette CLIC R	Clamp fitting pliers CLIC R		



Special tools



M

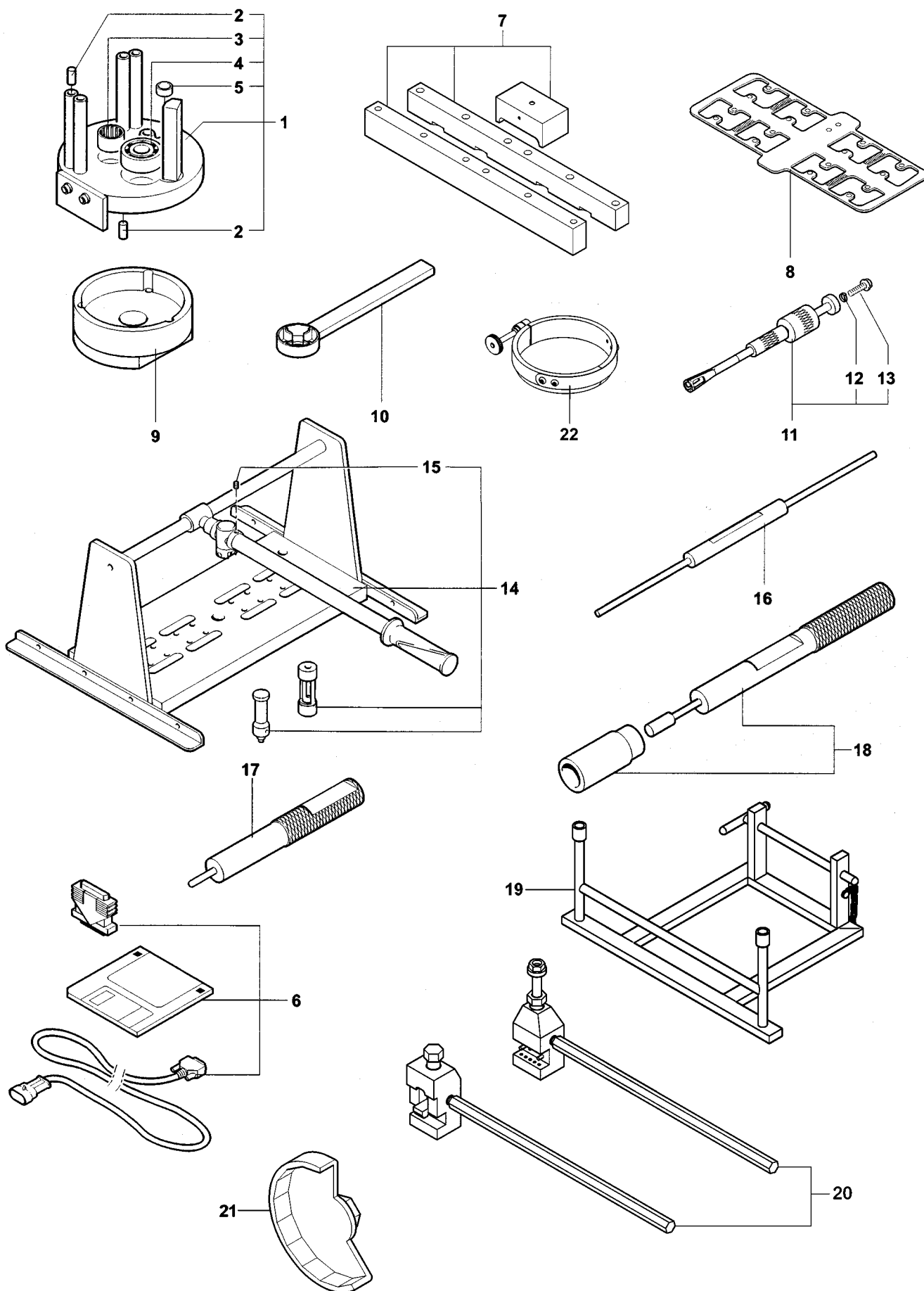


Special tools

N.	Code	Q.ty	Note	750 ORO	750 S	750 S1+1	Descrizione	Description	► I FRAME ◀	► I ENGINE ◀
1	800092867	1		•	•	•	Attrezzo pacco bilancere	Equaliser pack tool		
2	800092868	1		•	•	•	Attrezzo cuscinetti ruota anteriore	Front wheel bearings tool		
3	800095389	1		•	•	•	Attrezzo catena (passo 520:532)	Chain tool (pitch 520:532)		
4	800095390	1		•	•	•	Perno taglio e ribaditura (passo 520:532)	Cutting and riveting pin (pitch 520:532)		
5	800093347	1		•	•	•	Asta settaggio sospensione posteriore	Rear suspension setting rod		
6	800095396	1		•			Vernice "ORO MAGNESIO"	"GOLD MAGNESIUM" paint		
7	800095807	1		•	•	•	Cavalletto anteriore	Front stand		
8	800095808	1		•	•	•	Perno cavalletto anteriore	Front stand pin		
9	800097887	1		•	•	•	Attrezzo cuscinetto perno di sterzo	Steering pin bearing tool		
10	800097888	1		•	•	•	Piastra di riscontro base di sterzo	Steering base plate		
11	800097889	1		•	•	•	Estrattore cuscinetto perno di sterzo	Steering pin extractor		
12	800097890	1		•	•	•	Attrezzo montaggio cuscinetto perno di sterzo	Steering pin assembly tool		



Special tools



M



Special tools

N.	Code	Q.ty	Note	750 ORO	750 S	750 S1+1	Descrizione	Description	► I FRAME I	► I ENGINE I
1	800094792	1		•	•	•	Attrezzo montaggio cambio	Gear change mounting tool		
2	800086119	8		•	•	•	Boccola di riferimento	Locating bush		
3	800081424	1		•	•	•	Cuscinetto	Bearing		
4	800086121	1		•	•	•	Cuscinetto	Bearing		
5	800087300	1		•	•	•	Cuscinetto	Bearing		
6	800093877	1		•	•	•	Software diagnostica	Diagnostics software		
7	800097629	1		•	•	•	Attrezzo misura sporgenza pistoni	Piston projection measuring tool		
8	800094797	1		•	•	•	Lastra sagomata copri testa	Head cover shaped plate		
9	800094795	1		•	•	•	Attrezzo bloccaggio rinvio albero alternatore	Alternator shaft transmission locking tool		
10	800094794	1		•	•	•	Attrezzo bloccaggio supporto parastrappi	Male flexible coupling support locking tool		
11	800094798	1		•	•	•	Attrezzo smontaggio gommini valvola	Valve rubber caps removal tool		
12	62N115538	1		•	•	•	Rosetta elastica	Spring washer		
13	8C0069056	3		•	•	•	Vite (TEF M8x30)	Screw (TEF M8x30)		
14	800094796	1		•	•	•	Attrezzo montaggio/ smontaggio valvole	Valve assembling/ disassembling tool		
15	800051521	2		•	•	•	Vite (M4x6 UNI 5923)	Screw (M4x6 UNI 5923)		
16	800095429	1		•	•	•	Tampone controllo	Gauge pad		
17	800095581	1		•	•	•	Punzone montaggio tenute valvola	Valve seals mounting punch		
18	800095320	1		•	•	•	Tampone montaggio guida	Guide mounting pad		
19	800097867	1		•	•	•	Supporto motore	Engine support		
20	800095827	1		•	•	•	Attrezzo catena distribuzione	Timing chain tool		
21	800099010	1		•	•	•	Attrezzo per filtro olio	Oil filter removal tool		
22	8000A1432	1		•	•	•	Attrezzo stringifasce per montaggio pistoni	Piston ring assembly tool		



Special tools

M